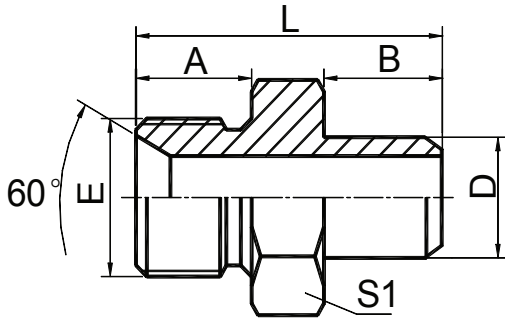


# 过渡接头 ADAPTER

## 1BW



英管外螺纹60°内锥或六角端面用组合垫密封 / 焊接管  
 BSP MALE DOUBLE USE FOR 60° CONE SEAT  
 OR BONDED SEAL / BUTT-WELD TUBE

代号 PART NO.	螺纹 THREAD		管子直径 TUBE O.D.	尺寸 DIMENSIONS				
	E			A	B	D	L	S1
1BW-04-10	G1/4"X19		10	12	7	10	25	19
1BW-06-14	G3/8"X19		14	13.5	8	14	29.5	22
1BW-08-18	G1/2"X14		18	16	10	18	36	27
1BW-12-22	G3/4"X14		22	18.5	10	22	39.5	32
1BW-12-28	G3/4"X14		28	18.5	12	28	41.5	32
1BW-16-28	G1"X11		28	20.5	12	28	45.5	41
1BW-16-30	G1"X11		30	20.5	12	30	45.5	41
1BW-20-34	G1.1/4"X11		34	20.5	14	34	49.5	50
1BW-20-36	G1.1/4"X11		36	20.5	14	36	49.5	50
1BW-20-42	G1.1/4"X11		42	20.5	16	42	51.5	50
1BW-24-36	G1.1/2"X11		36	23	14	36	52	55
1BW-24-42	G1.1/2"X11		42	23	16	42	54	55
1BW-24-50	G1.1/2"X11		50	23	16	50	54	55